

LITHIUM IRON PHOSPHATE BATTERY — LP15-12100

ELECTRICAL PERFORMANCE

Nominal Voltage	12.8 V
Nominal Capacity	100 Ah
Capacity @ 20A	300 min
Energy	1280 Wh
Resistance	≤30 mΩ @ 50% SOC
Self Discharge	<3% / Month



CHARGE PERFORMANCE

Recommended Charge Current	20A
Maximum Charge Current	100A
Recommended Charge Voltage	14.6V
BMS Charge Cut-Off Voltage	<15.6 V (3.9V/Cell)
Reconnect Voltage	>14.4 V (3.6V/Cell)
Balancing Voltage	<14.4 V (3.6V/Cell)
Maximum Batteries in Series	4 (*Consult MUST)

MECHANICAL PERFORMANCE

Dimension (L x W x H)	320 x 172 x 215 mm 13.0 x 6.7 x 8.5"
Approx. Weight	27.8 lbs (12 kg)
Terminal Type	DIN POST
Terminal Torque	80 ~ 100 in-lbs (9 ~ 11 N-m)
Case Material	ABS+PC
Enclosure Protection	IP65

DISCHARGE PERFORMANCE

Maximum Continuous Discharge Current	100 A
Peak Discharge Current	200 A (3s)
BMS Discharge Cut-Off Current	300 A ±10 A (30ms)
Recommended Low Voltage Disconnect	11 V (2.75V/Cell)
BMS Discharge Cut-Off Voltage	>8.0 V (2s) (2.0V/Cell)
Reconnect Voltage	>10.0 V (2.5V/Cell)
Short Circuit Protection	250 ~ 500 μs

TEMPERATURE PERFORMANCE

Discharge Temperature	-4 ~ 131 °F (-20 ~ 55 °C)
Charge Temperature	-4 ~ 113 °F (0 ~ 45 °C)
Storage Temperature	23 ~ 95 °F (-5 ~ 35 °C)
BMS High Temperature Cut-Off	149 °F (65 °C)
Reconnect Temperature	131 °F (55 °C)

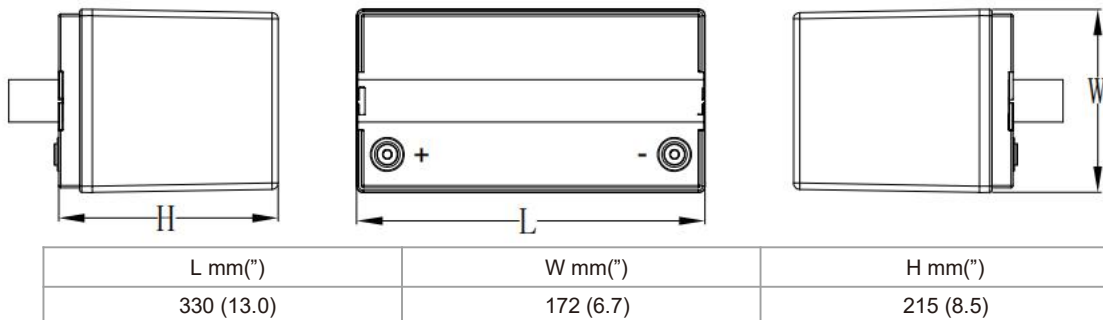
COMPLIANCE

Certifications	CE (battery) UN38.3 (battery) UL1642 & IEC62133 (cells)
Shipping Classification	UN 3480, CLASS 9

HEATING FOIL PERFORMANCE

Heating Temperature Range	-4 to 41 °F (-20 to 5 °C)
Heating Time	Approximately 1 hour @ 7.5 A
BMS Heating Foil Cut-Off	158 °F (70 °C)

OUTLINE DIMENSION



Performance may vary depending on application. All specifications are subject to change without prior notice to the user. This data is for evaluation purposes only. No guarantee is intended or implied by this data. For clarification and updated information, please contact us.